

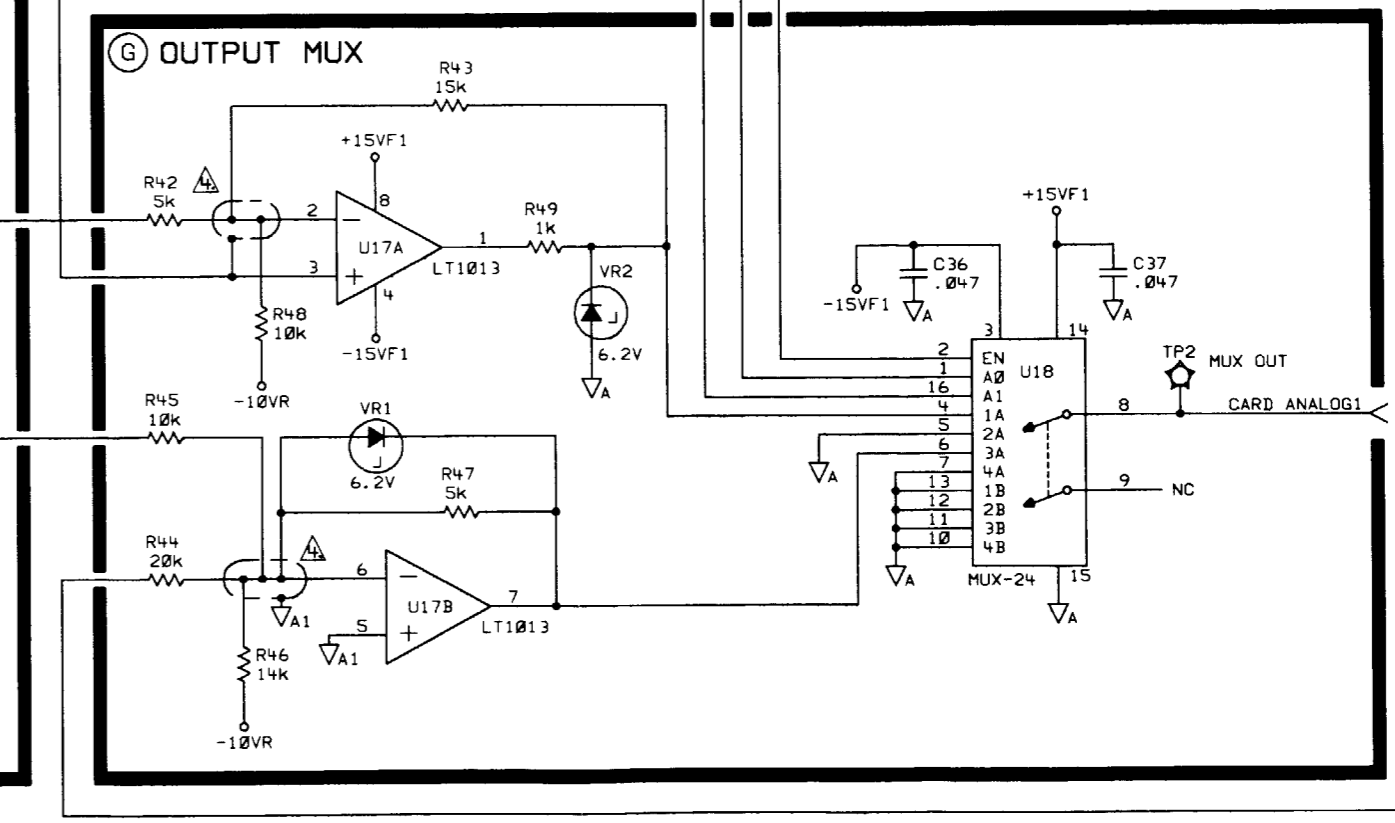
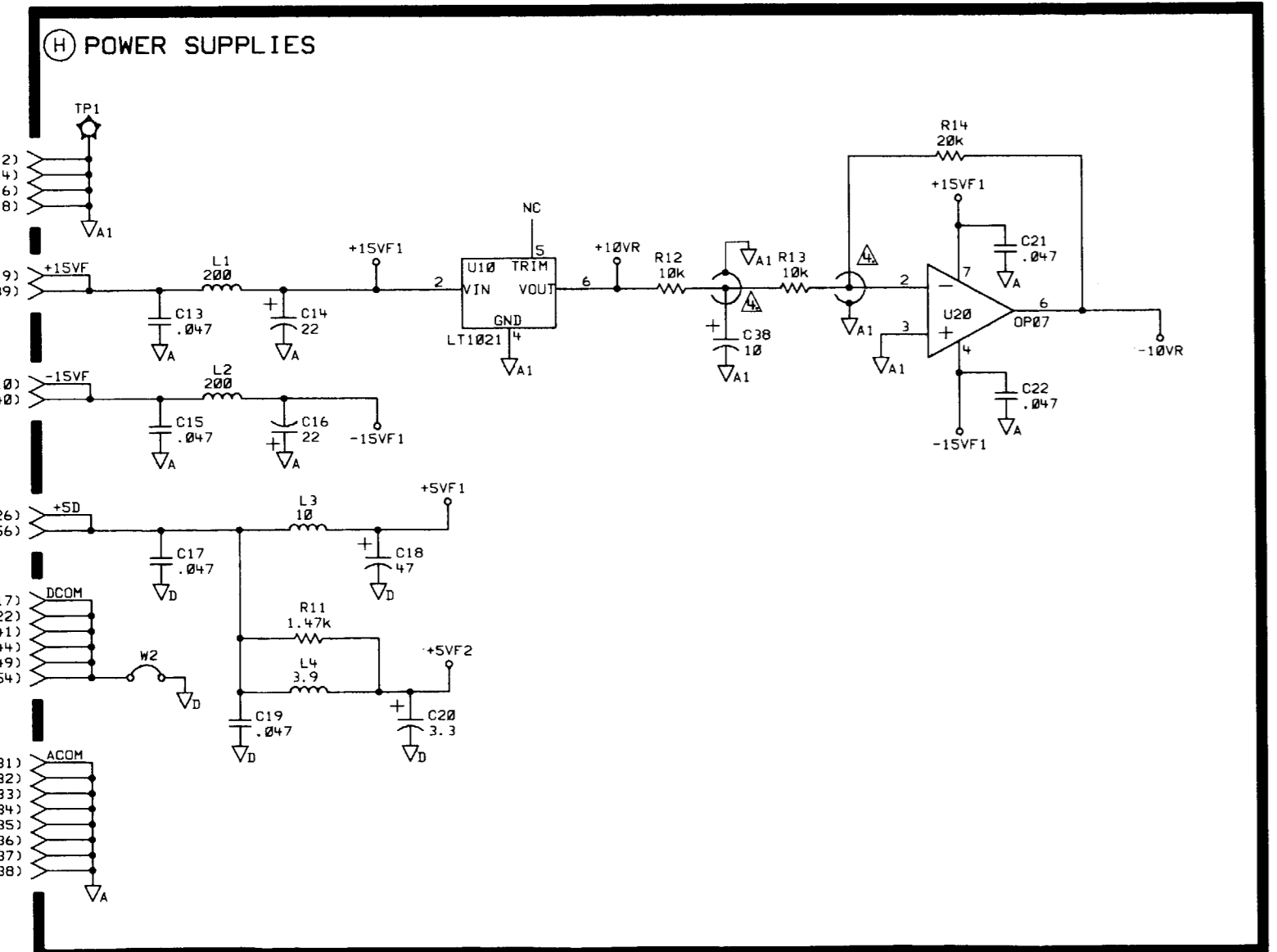
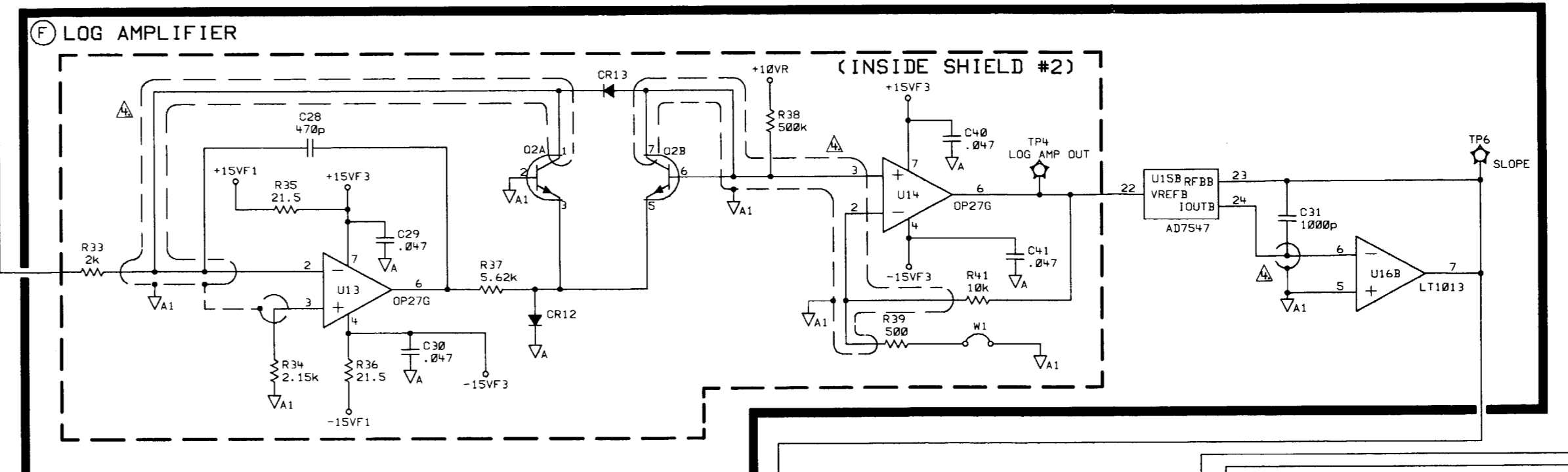
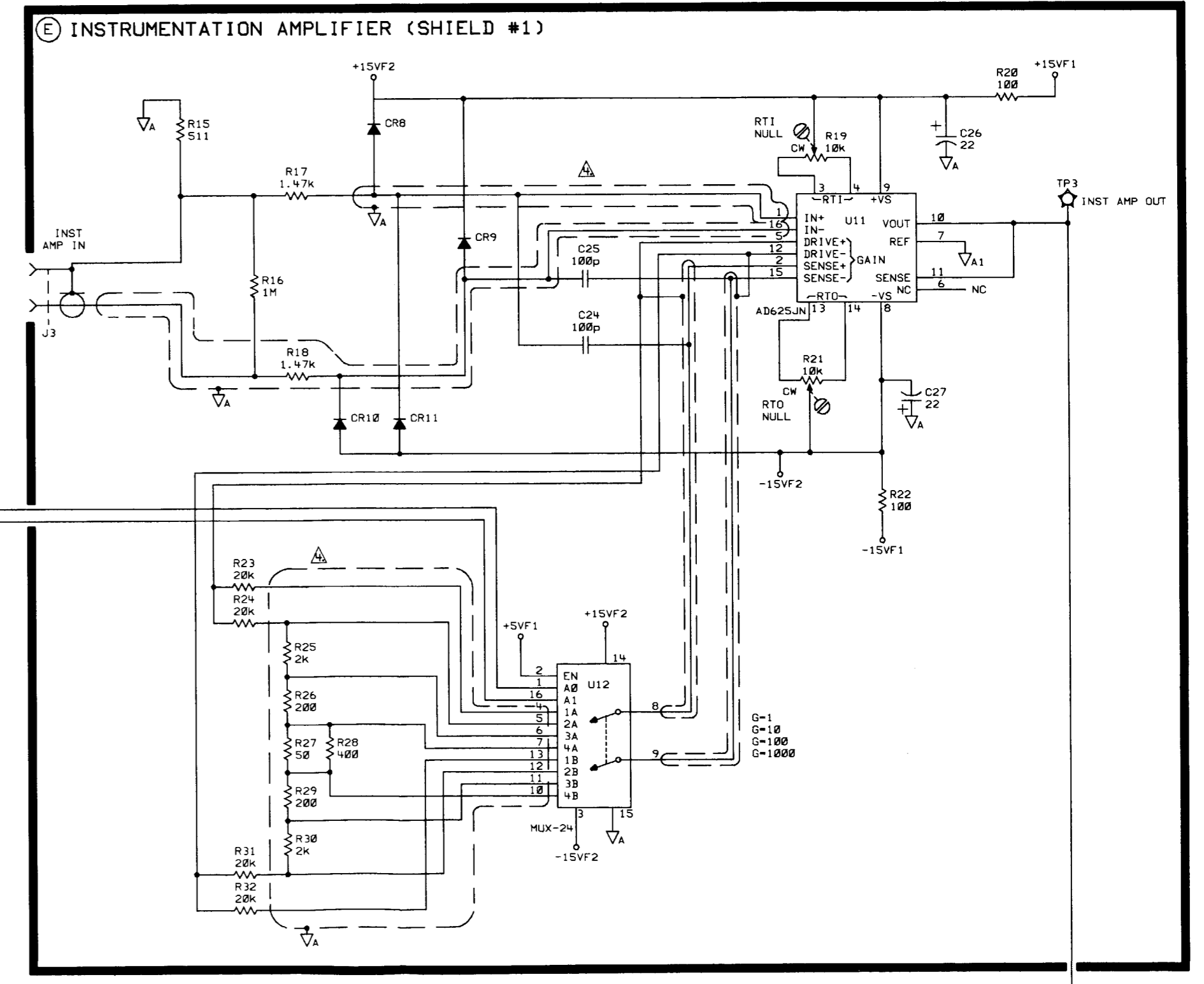
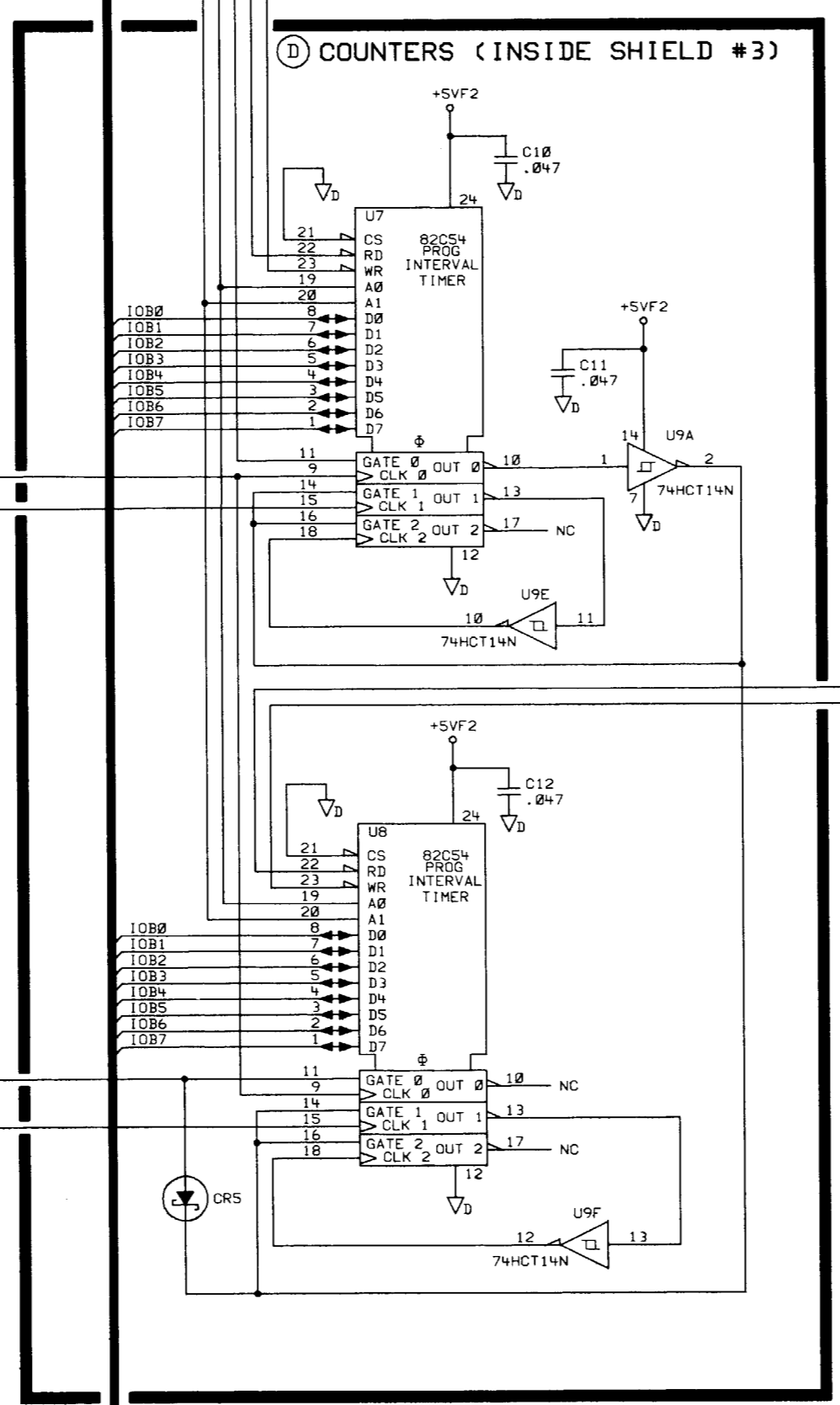
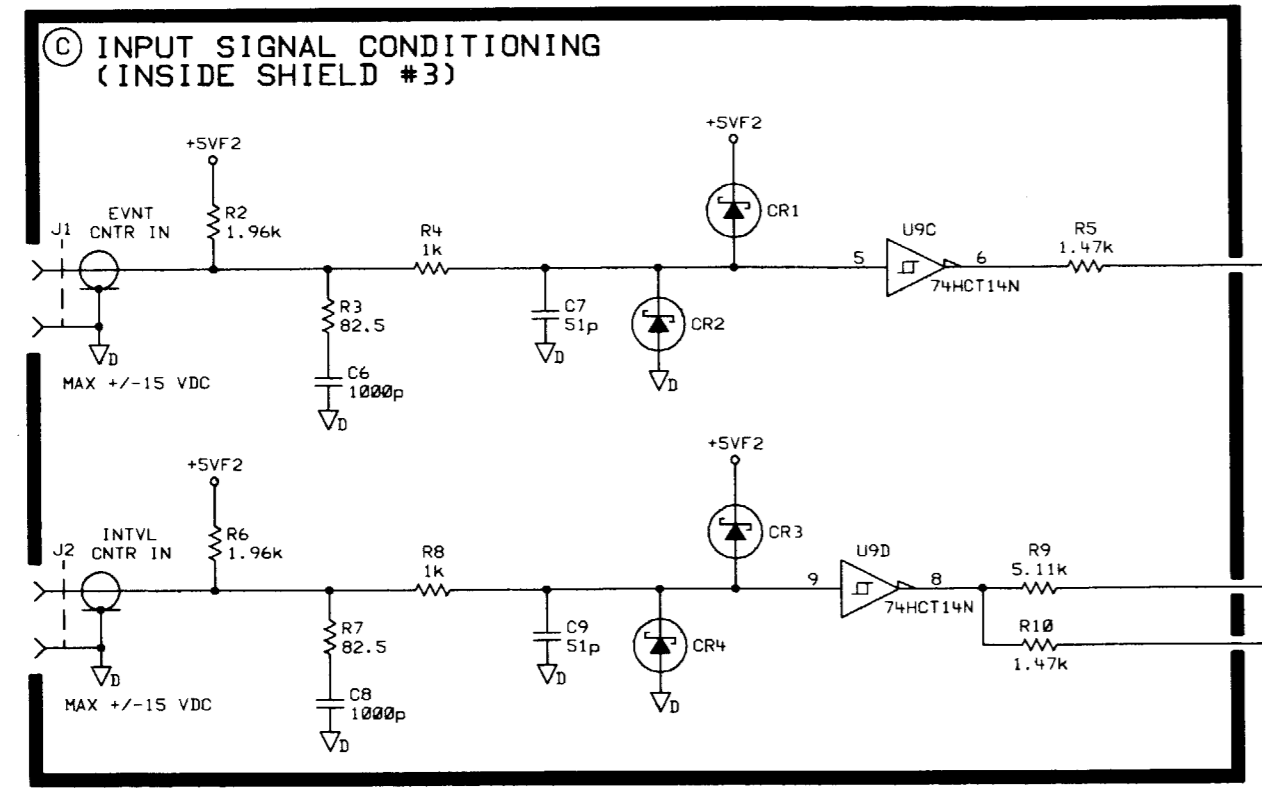
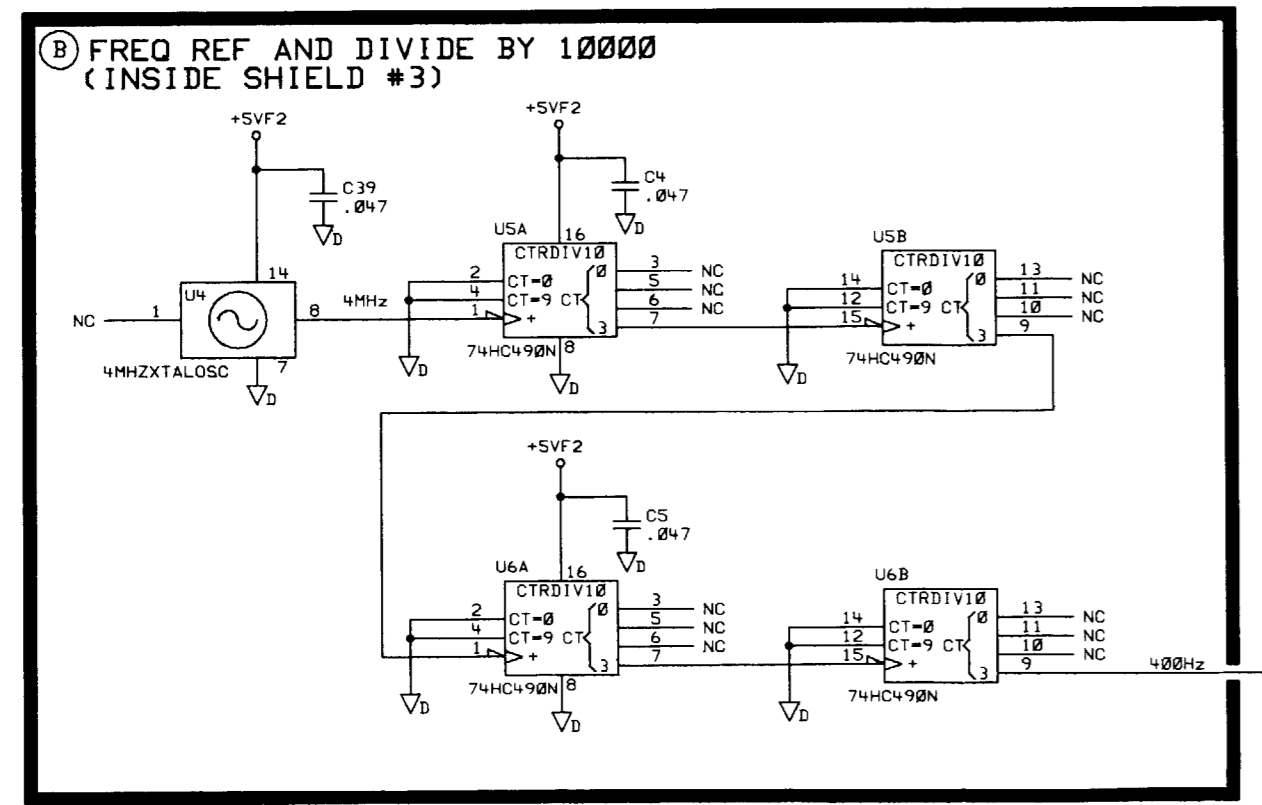
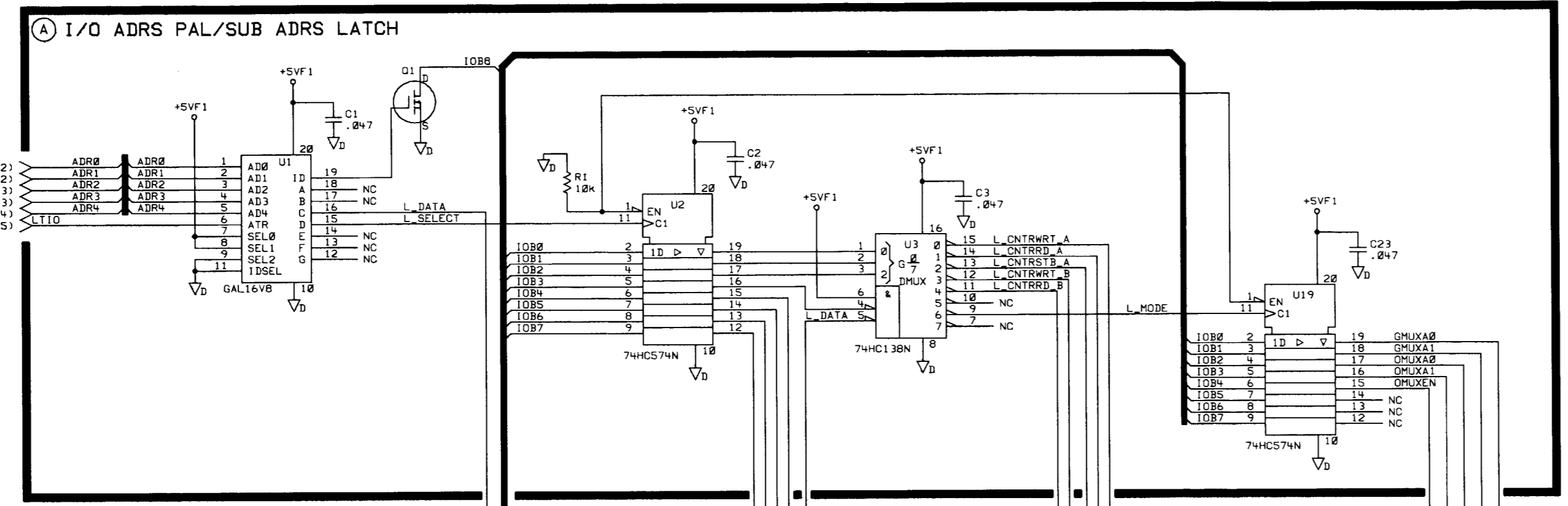
REV	REVISIONS	APPROVED	DATE
1			
2			

NOTES:

- REFERENCE DESIGNATORS WITHIN THIS ASSEMBLY ARE ABBREVIATED. PREFIX ABBREVIATION WITH ASSEMBLY NUMBER FOR COMPLETE REFERENCE DESIGNATOR.
- UNLESS OTHERWISE INDICATED: RESISTANCE IN OHMS (Ω) CAPACITANCE IN MICROGRAMS (μF) INDUCTANCE IN MICROHENRIES (μH)
- PHONETIC TABLE

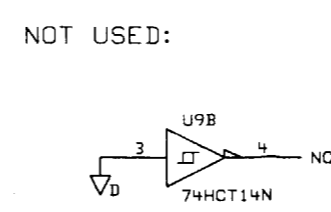
MNEMONIC	DESCRIPTION

4. GUARD TRACES



PIN	SIGNAL	TO/FROM	FUNCTION BLOCK
1	NC		
2	ACOM1	F	ACOM
3	CHER ANALOG1	F	ACOM
4	ACOM1	F	ACOM
5	ACOM1	F	ACOM
6	ACOM1	F	ACOM
7	ACOM1	F	ACOM
8	ACOM1	F	ACOM
9	+5VF	H	ACOM
10	-15VF	H	ACOM
11	NC		
12	ABR2	A	ACOM
13	ABR2	A	ACOM
14	ABR2	A	ACOM
15	ABR2	A	ACOM
16	ABR2	A	ACOM
17	ABR2	A	ACOM
18	ABR2	A	ACOM
19	ABR2	A	ACOM
20	ABR2	A	ACOM
21	ABR2	A	ACOM
22	ACOM	H	ACOM
23	NC		
24	NC		
25	LTIO	A	ACOM
26	+5V	H	ACOM
27	NC		
28	NC		
29	NC		
30	NC		

PIN	SIGNAL	TO/FROM	FUNCTION BLOCK
31	ACOM	H	ACOM
32	ACOM	H	ACOM
33	ACOM	H	ACOM
34	ACOM	H	ACOM
35	ACOM	H	ACOM
36	ACOM	H	ACOM
37	ACOM	H	ACOM
38	ACOM	H	ACOM
39	+15VF	H	ACOM
40	-15VF	H	ACOM
41	ACOM	H	ACOM
42	ACOM	H	ACOM
43	ACOM	H	ACOM
44	ACOM	H	ACOM
45	ACOM	H	ACOM
46	ACOM	H	ACOM
47	ACOM	H	ACOM
48	ACOM	H	ACOM
49	ACOM	H	ACOM
50	ACOM	H	ACOM
51	ACOM	H	ACOM
52	NC		
53	NC		
54	ACOM	H	ACOM
55	NC		
56	NC		



HP PROPRIETARY  
THIS DOCUMENT CONTAINS CONFIDENTIAL, PROPRIETARY INFORMATION THAT IS HEWLETT-PACKARD (HP) PROPERTY. DO NOT DISCLOSE TO OR DUPLICATE FOR OTHERS EXCEPT AS AUTHORIZED BY HP.

ITEM	QTY.	PART/MATERIAL-DESCRIPTION	MAT'L-PART NO.	MAT'L-DWG. NO.	MAT'L-SPEC.
DRAWN BY: _____ DATE: _____					
ENGINEER/CHECKER: _____					
RELEASE TO PROD.: _____					
SUPERSEDES DWG.: _____					

BOARD ASSEMBLY - COUNTER/AMPLIFIER (SCHEMATIC)

FILE NAME: 308A952  
SCALE: NONE  
SHEET 1 OF 1

HEWLETT PACKARD  
5062-6433  
PART NUMBER  
D-5062-6433-1